

ALSO AVAILABLE



MERCEDES X-CLASS
GRILLE INTEGRATION KIT



MERCEDES VITO 2020+
GRILLE INTEGRATION KIT



MERCEDES SPRINTER 2018+
GRILLE INTEGRATION KIT



MERCEDES VITO 2014+
GRILLE INTEGRATION KIT



MERCEDES X-CLASS
ROOF MOUNT (WITH ROOF RAILS)



MERCEDES X-CLASS
ROOF MOUNT (WITHOUT ROOF RAILS)



CLIP-ON LENSES
AMBER AND REEDED LENSES



CAN INTERFACE
PLUS CONTACTLESS READER

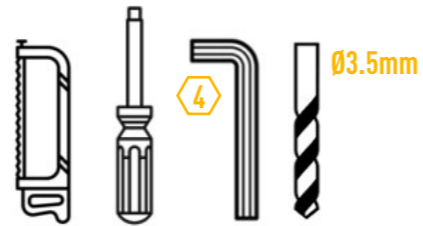
WHAT'S INCLUDED

- 4x Grille Mounting Brackets
- 4x Cutter Guides
- Anti-Theft Fasteners and Screw Bit
- Fitting Instructions

Additionally - Kit Includes:

- 2x High Performance LED Spotlights (ST4 Evolution)

TOOLS REQUIRED



! SIDE MOUNTING INFORMATION



LAZER

HIGH PERFORMANCE LIGHTING



MERCEDES CITAN (2022+) GRILLE INTEGRATION KIT

FITTING INSTRUCTIONS

LAZER

HIGH PERFORMANCE LIGHTING

WWW.LAZERLAMPS.COM

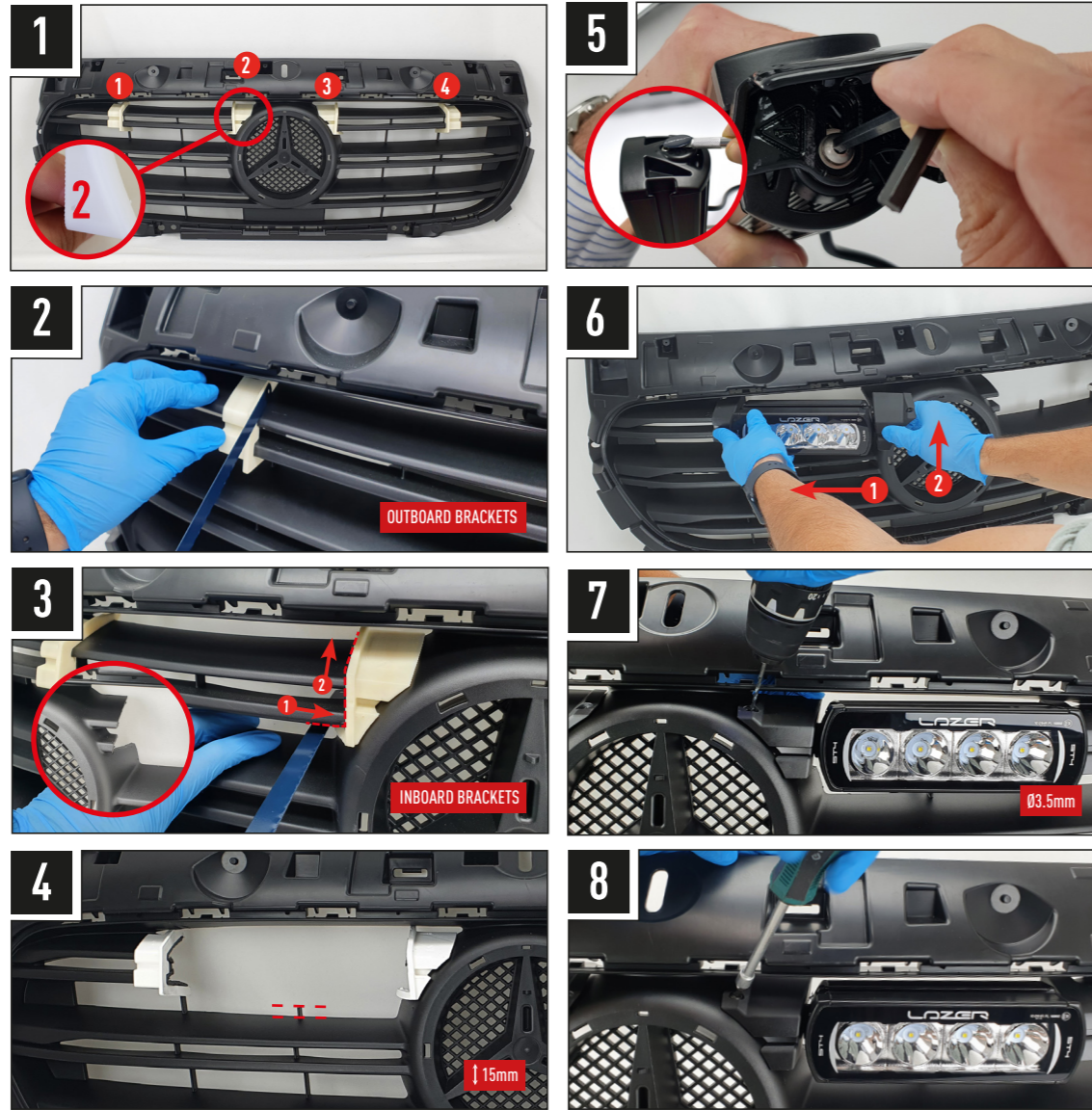
+44 (0)1992 677374
sales@lazerlamps.com

Lazer Lamps Ltd, Units 1&2 Harlow Mill Business Centre,
Riverway, Harlow, Essex. CM20 2FD. United Kingdom

MADE IN THE UK /LAZERLAMPS /LAZERLAMPS

INSTALLATION PROCESS

Install should be completed with the grille left on the vehicle.

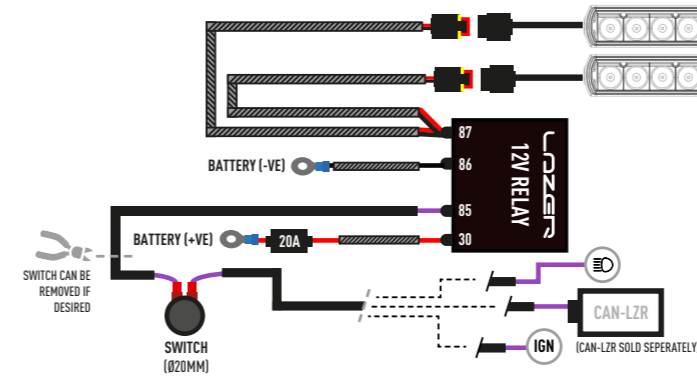


TORQUE VALUES

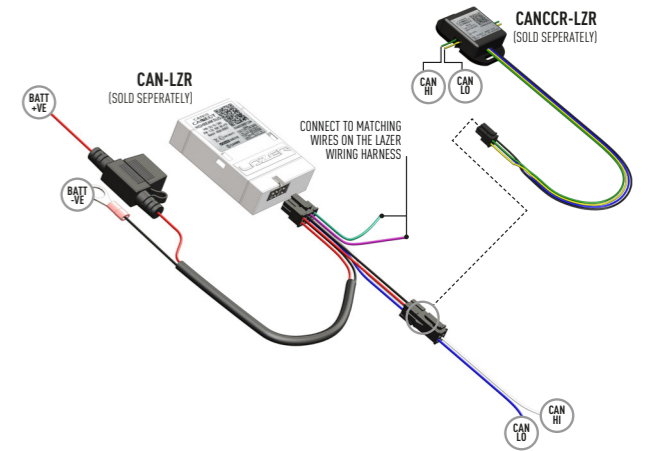


ELECTRICAL CONNECTION

ST4 EVOLUTION



CANBUS INTEGRATION



For vehicles where it is not possible to locate a 12V high beam signal, it will be necessary to take the high beam signal from the vehicle's CAN system. For vehicle specific CAN instructions, please download the "CANM8 Connect" App.

