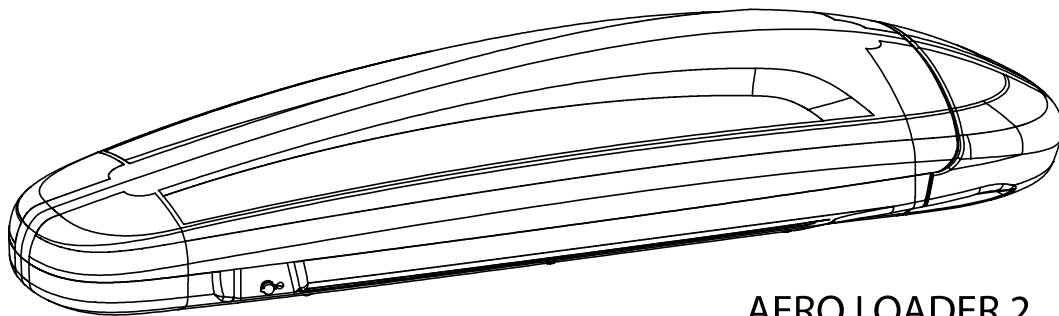




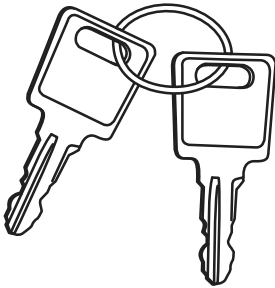
INSTALLATION AND SAFETY INSTRUCTIONS
INSTRUCTIONS POUR L'INSTALLATION ET LA SÉCURITÉ
EINBAU- UND SICHERHEITSHINWIESE
MONTERING- OCH SÄKERHETSINSTRUKTIONER



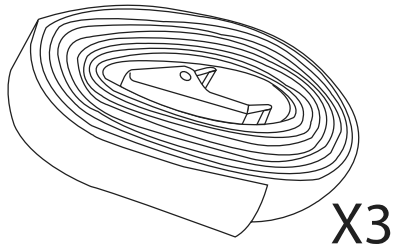
AERO LOADER 2

INCLUDED PARTS

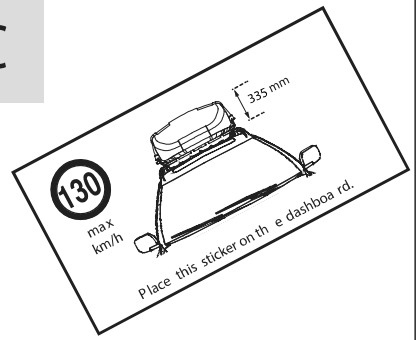
A



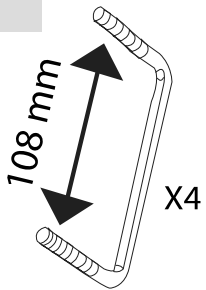
B



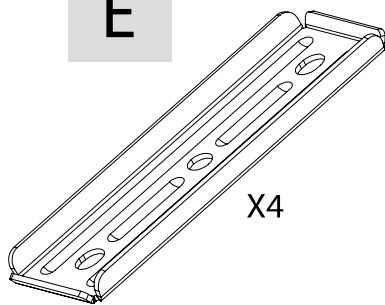
C



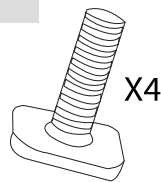
D



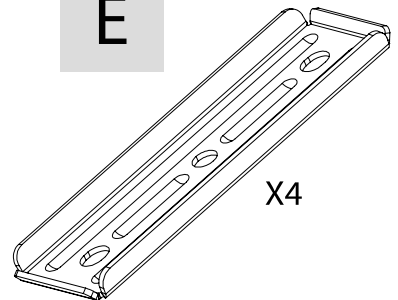
E



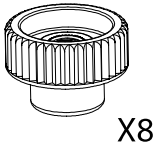
G



E

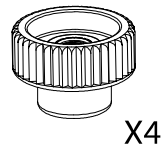


F



See instruction no 3

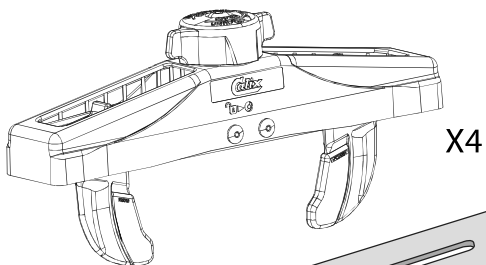
F



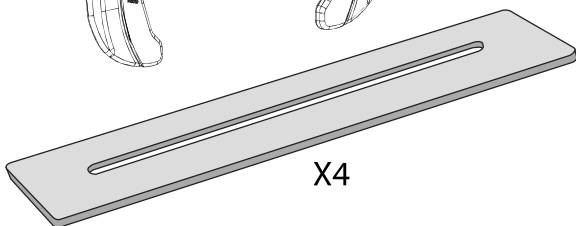
See instruction no 4

Optional – Quick Grip 2

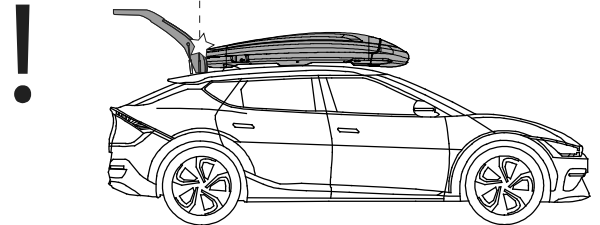
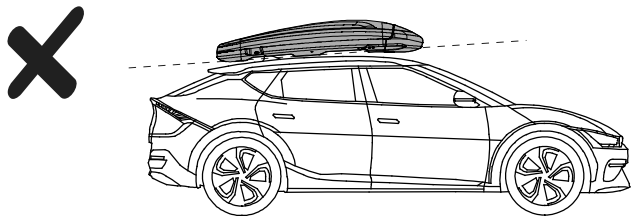
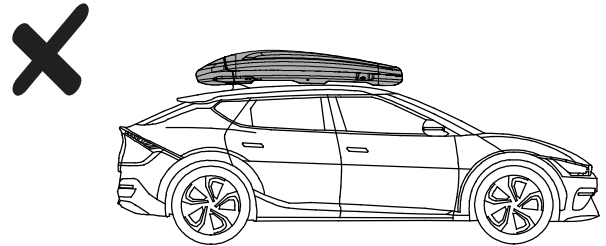
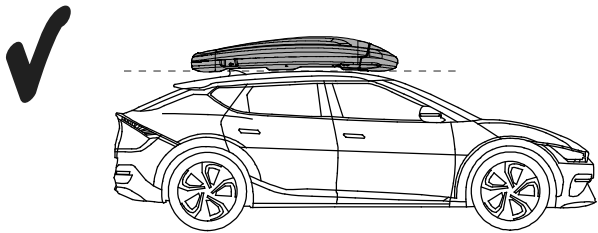
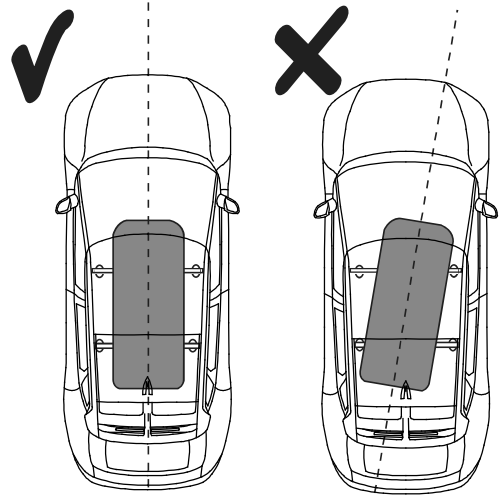
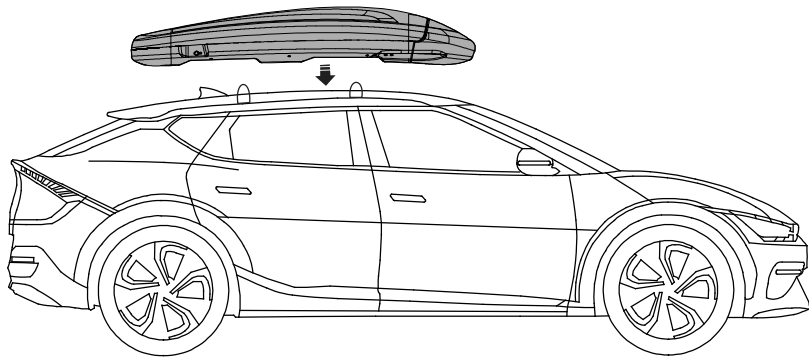
H



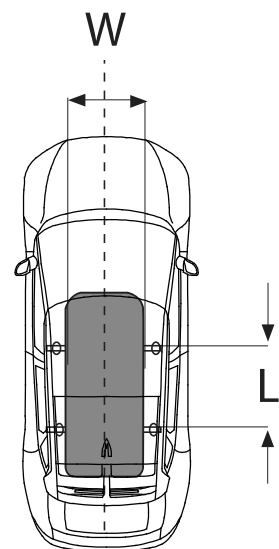
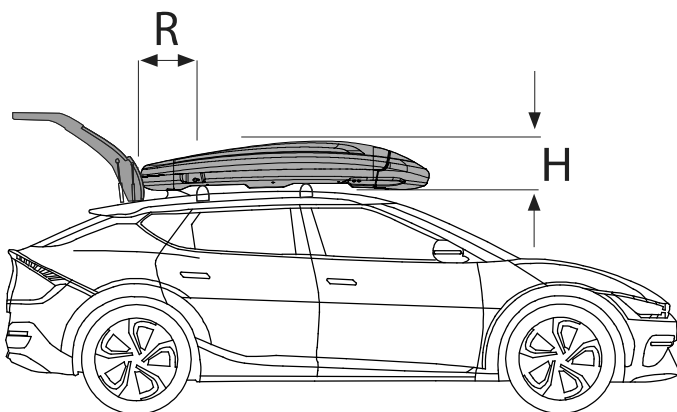
I

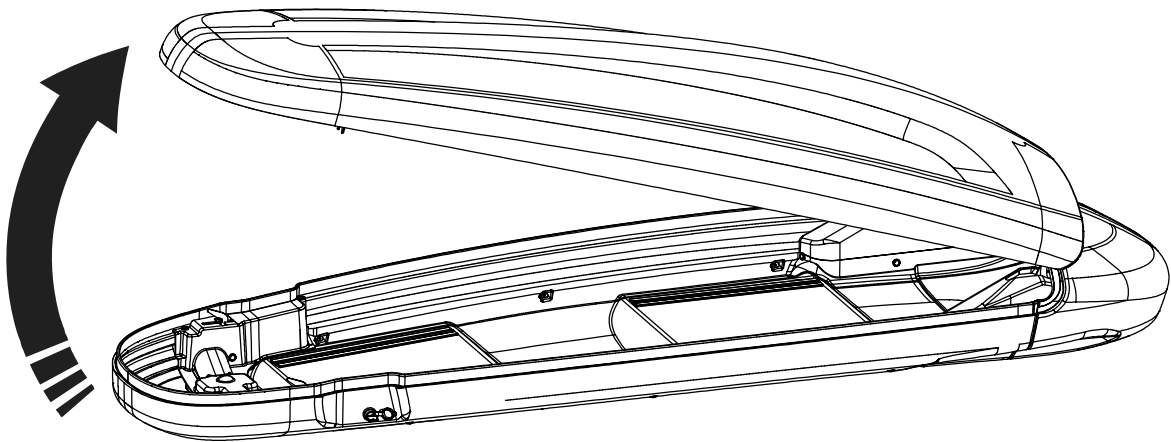
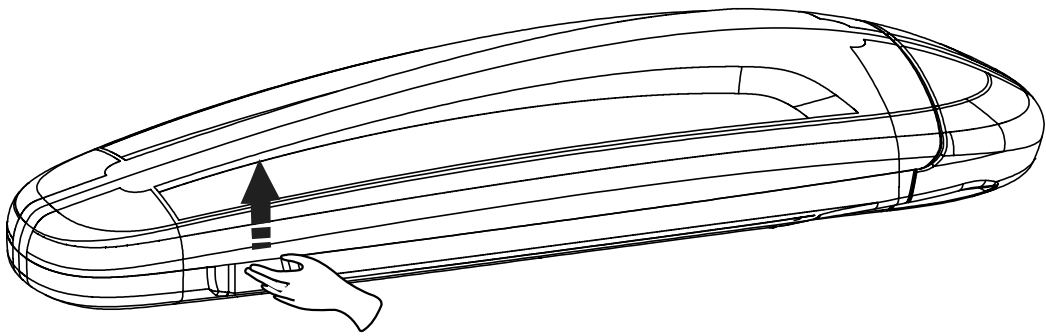
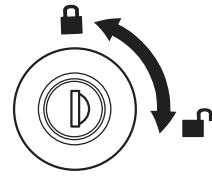
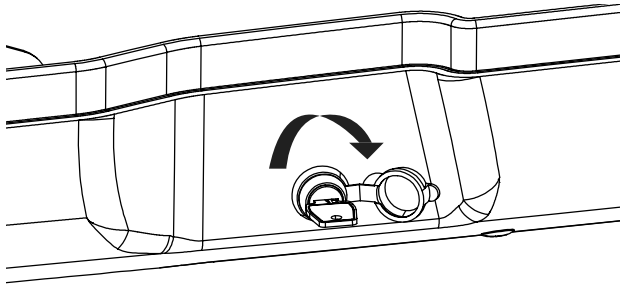


See instruction no 5-10



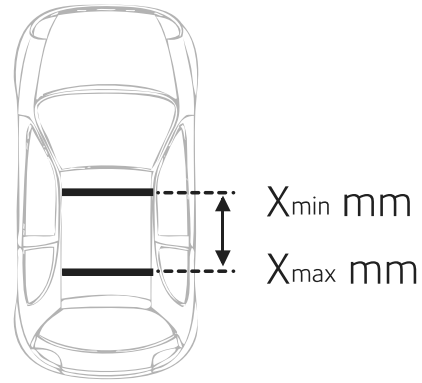
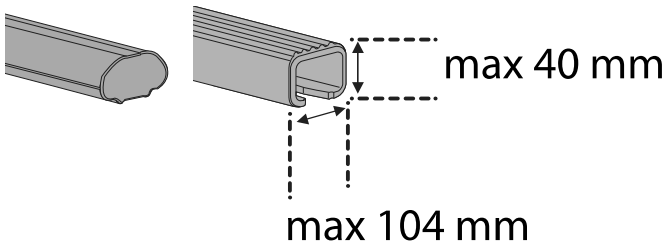
Model	Dimensions in mm				
	L _{min}	L _{max}	W	H	R _{min}
Aero Loader 2	515	1115	805	385	440



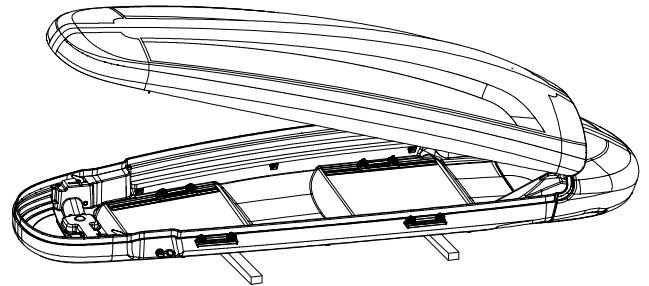
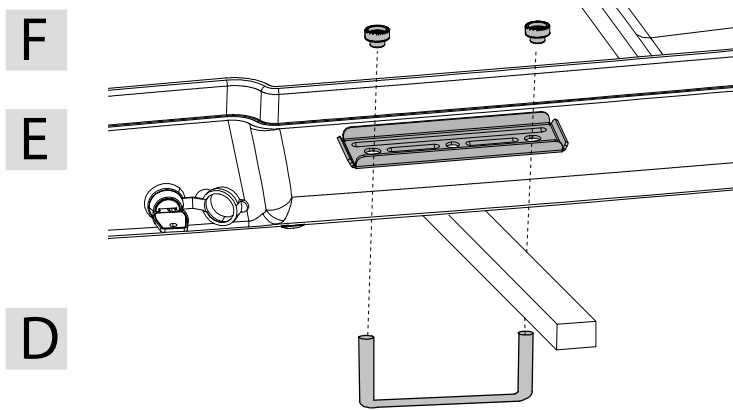


INSTALLING

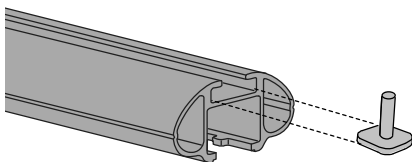
Model	X _{min} (mm)	X _{max} (mm)
Aero Loader 2	515	1115



Attach box to roof racks on all four attachment points

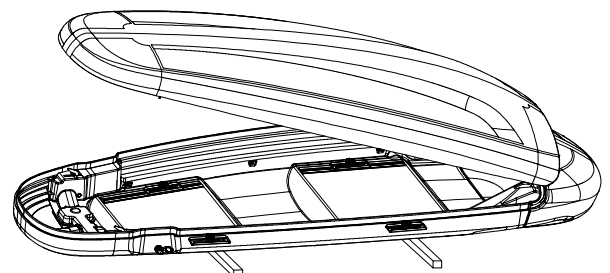
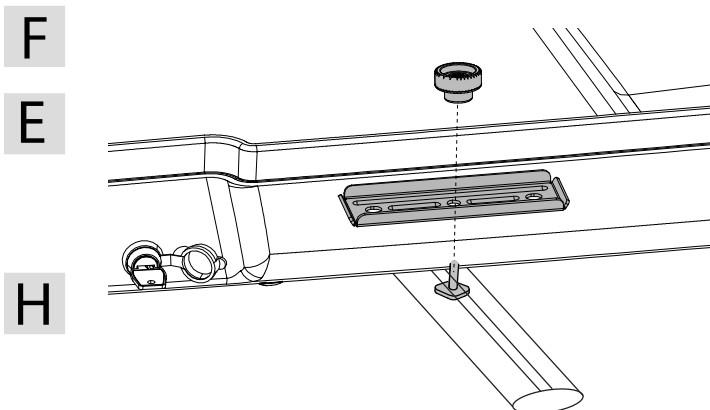
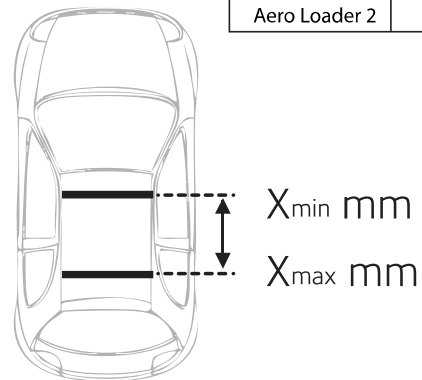


3



Model	X _{min} (mm)	X _{max} (mm)
Aero Loader 2	515	1115

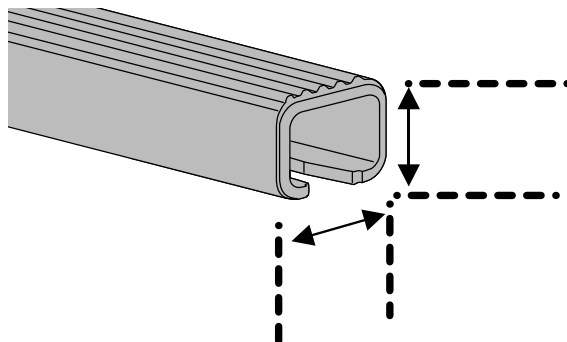
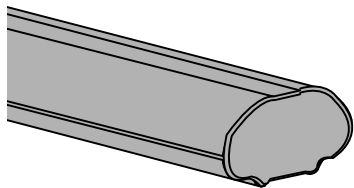
Attach box to roof racks on all four attachment points



4

Optional Quick Grip 2

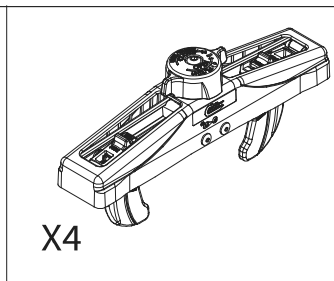
Compatible with
Roof Rack dimensions:



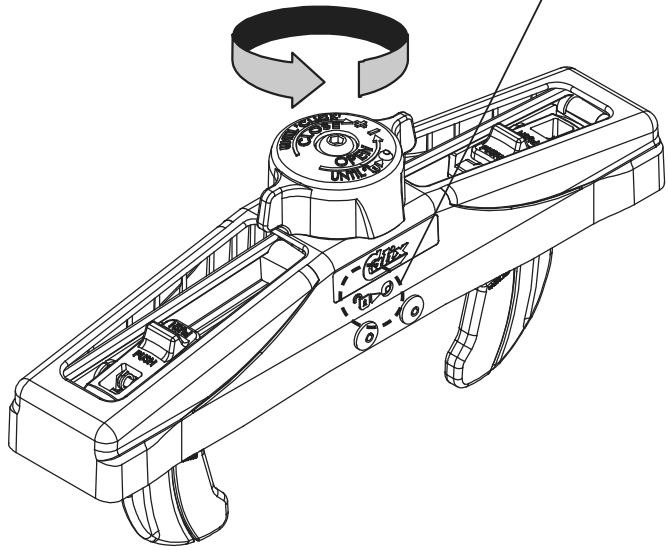
max 32 mm
min 15 mm

max 100 mm
min 25 mm

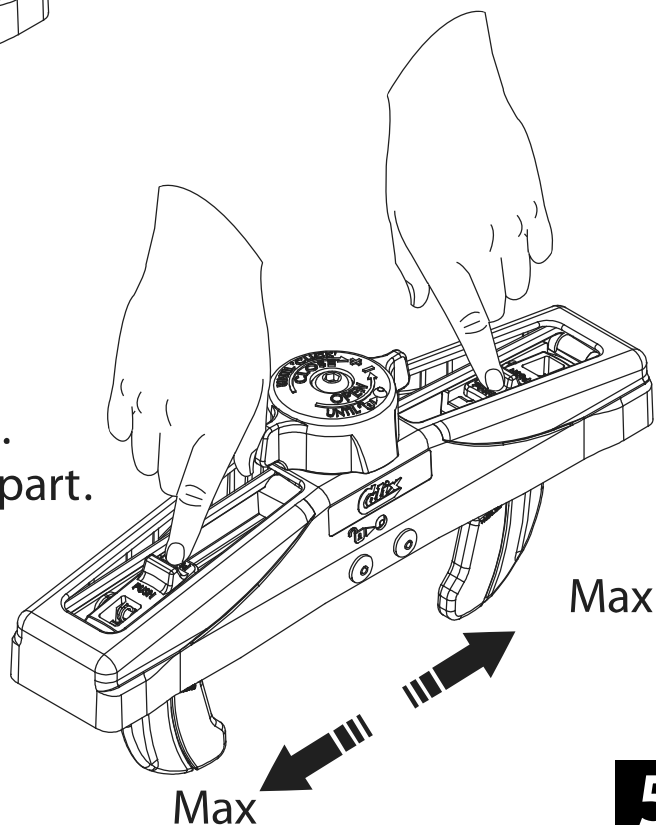
Unlock.
Open by rotating the knob
until the orange indicator is
in unlocked position.



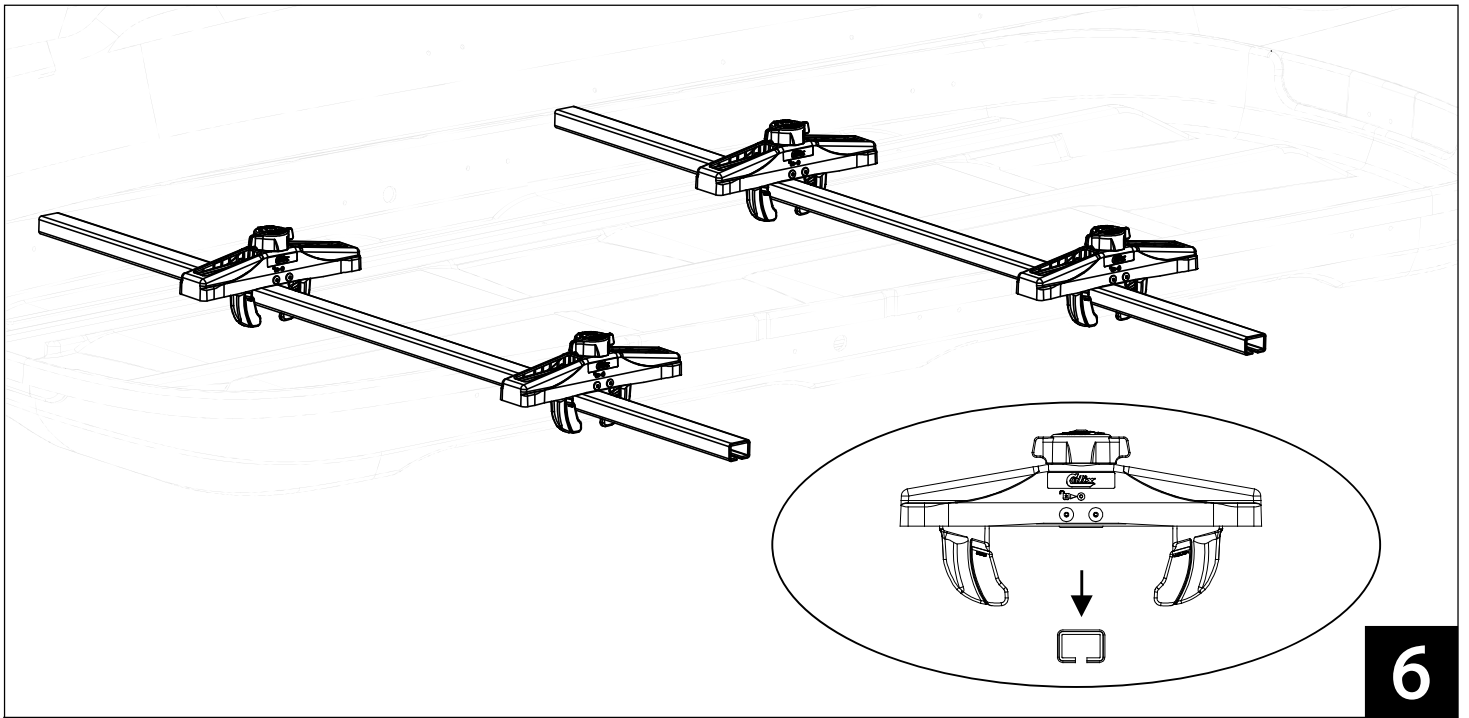
X4



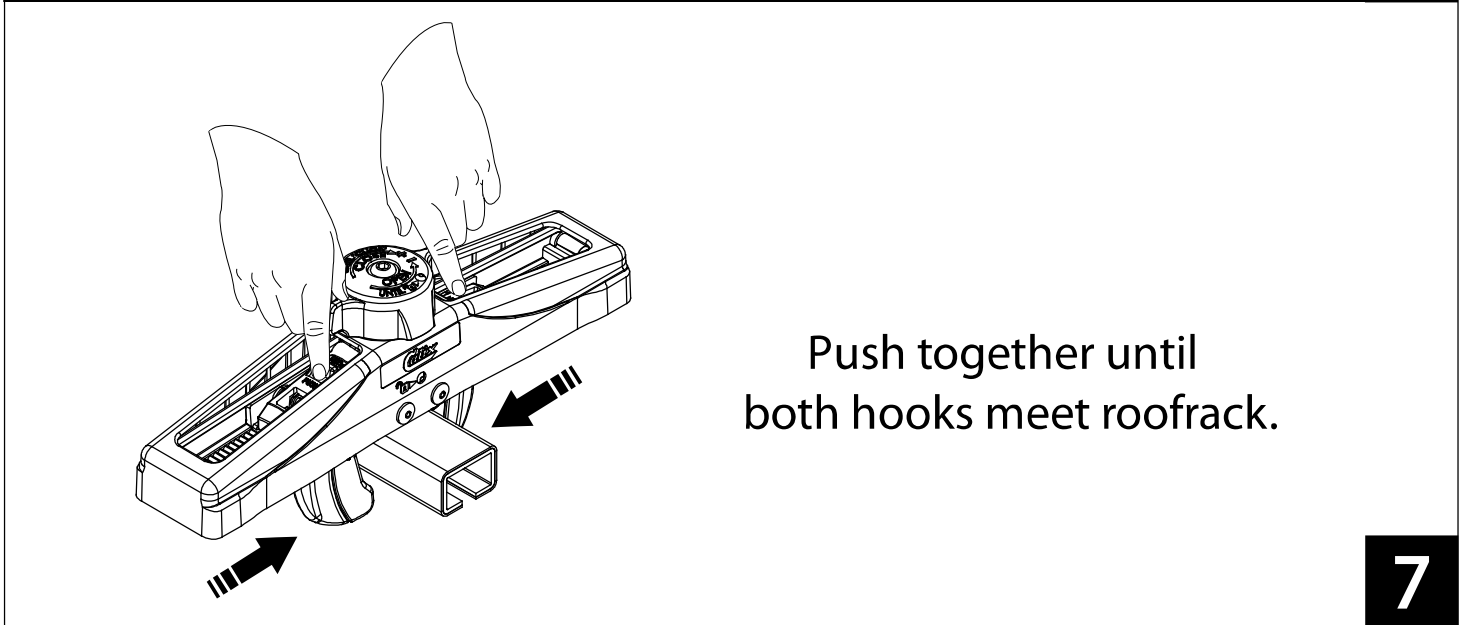
Start position.
Push the hooks apart.



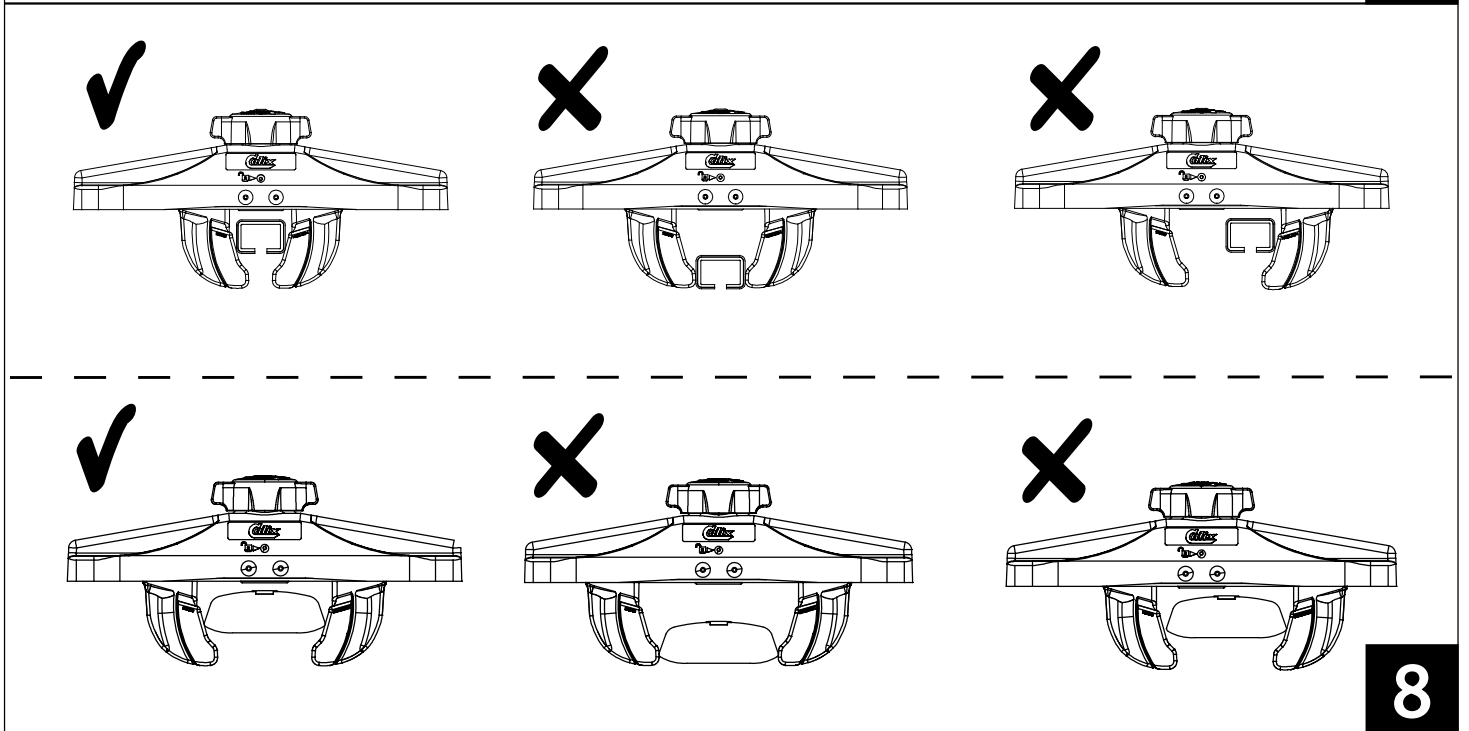
5



6

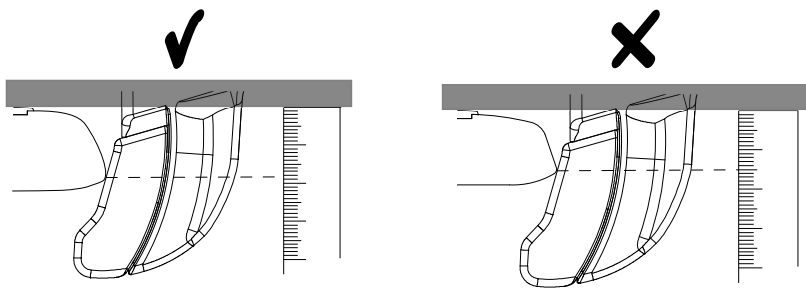


7

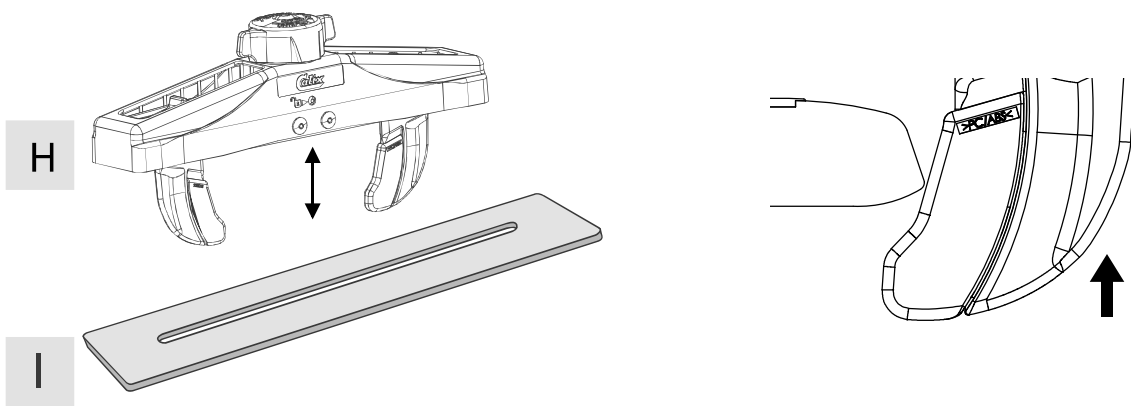
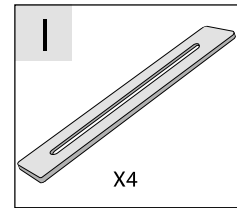


8

Check!

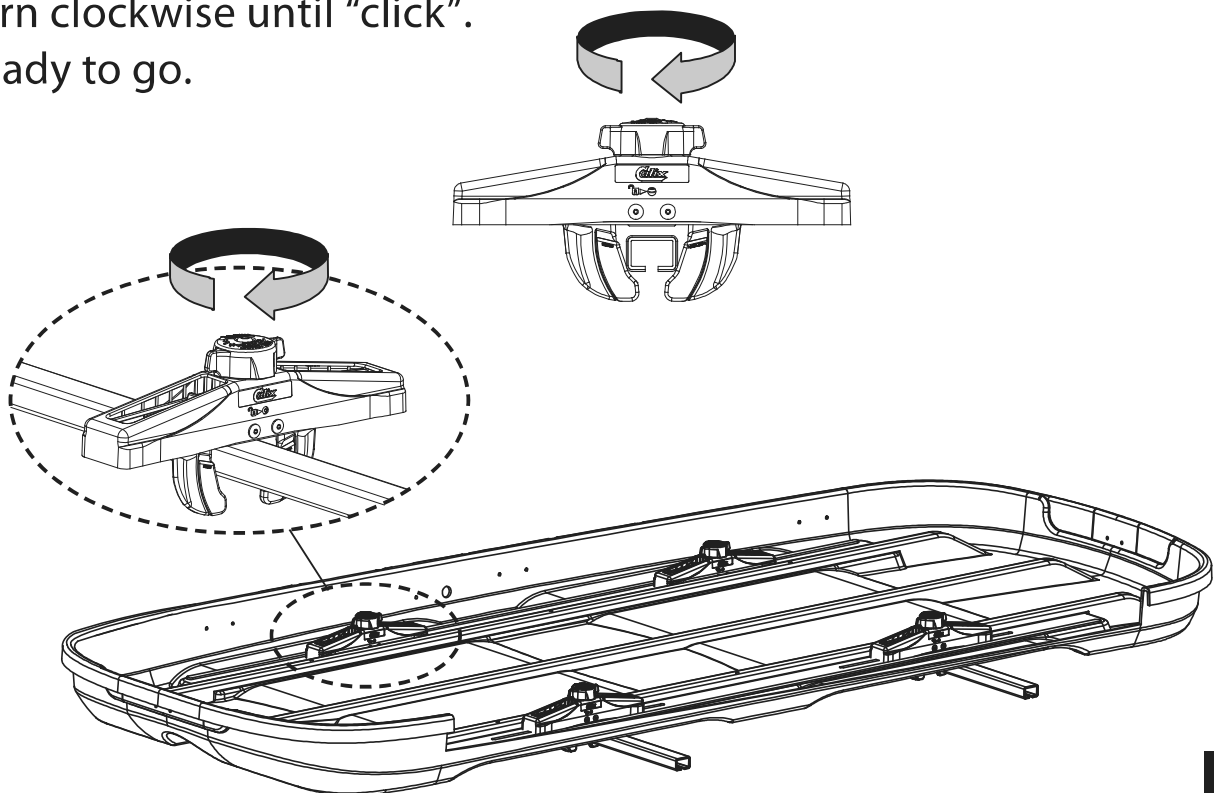


If distance between roofbox and contact point is less than 15 mm, use spacers underneath Quick Grip 2 to lower contact point



9

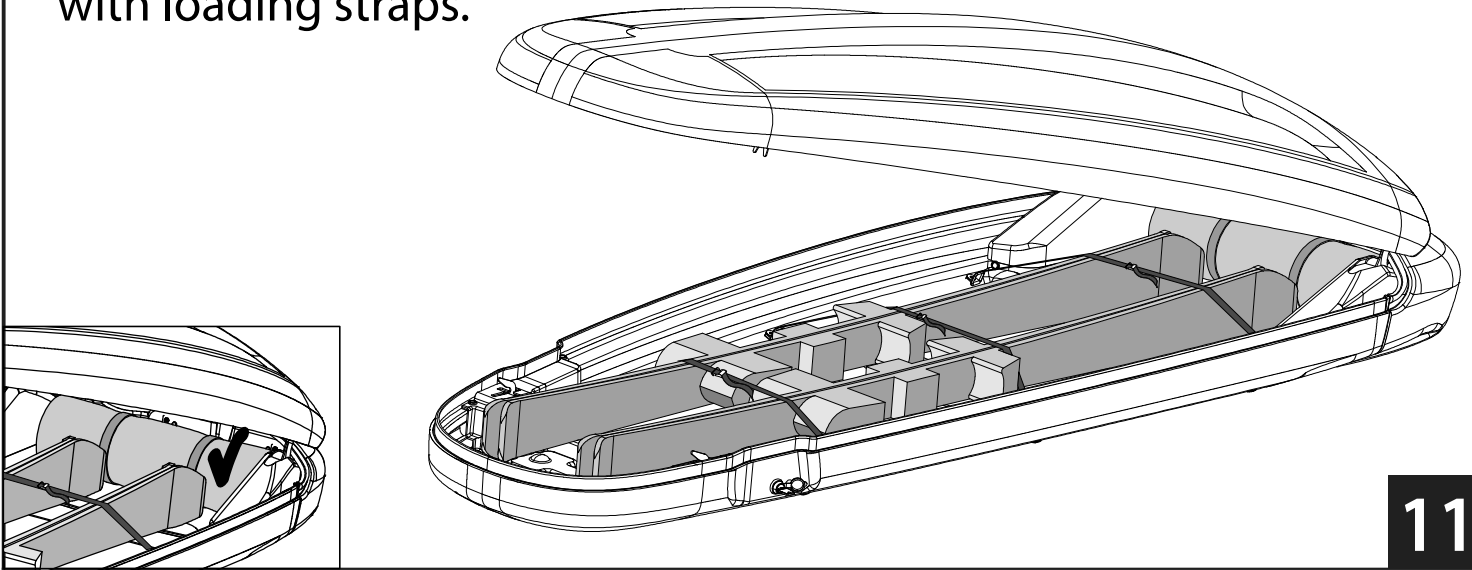
Turn clockwise until "click".
Ready to go.



10

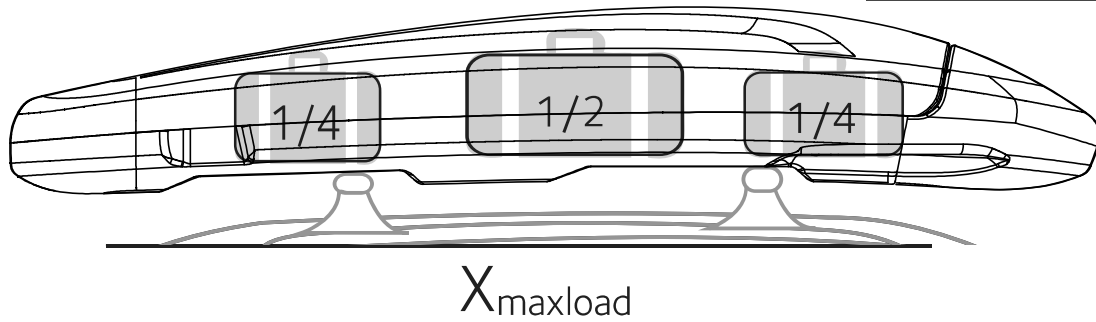
LOADING

All items are to be fastened with loading straps.



11

Model	X_{\maxload}
Aero Loader 2	75



12

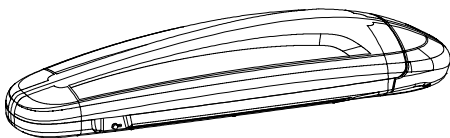
Check drivers manual for maximum permitted roof load of your car.

Model	X_{\maxweight}
Aero Loader 2	27

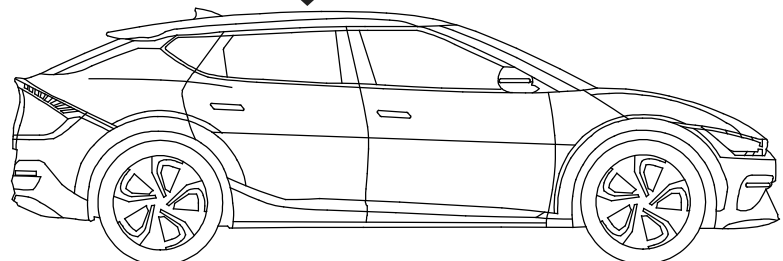
X_{\maxweight}

+ X_{\maxload}

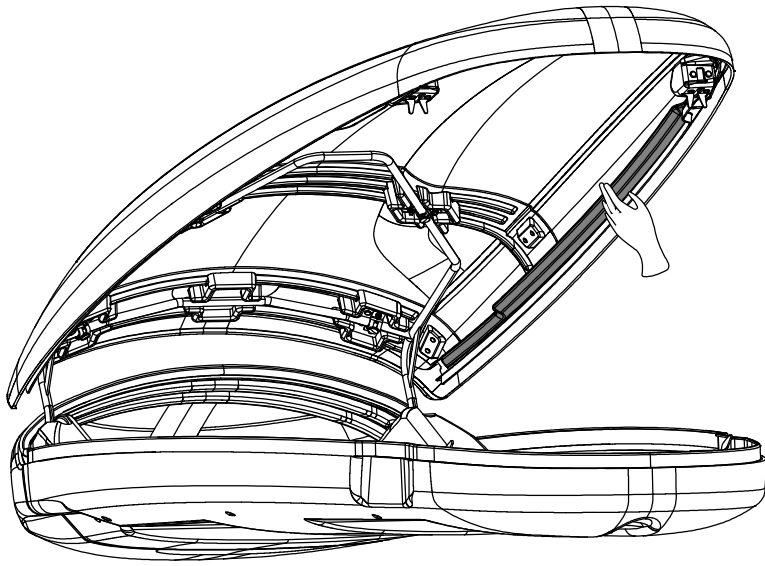
< max



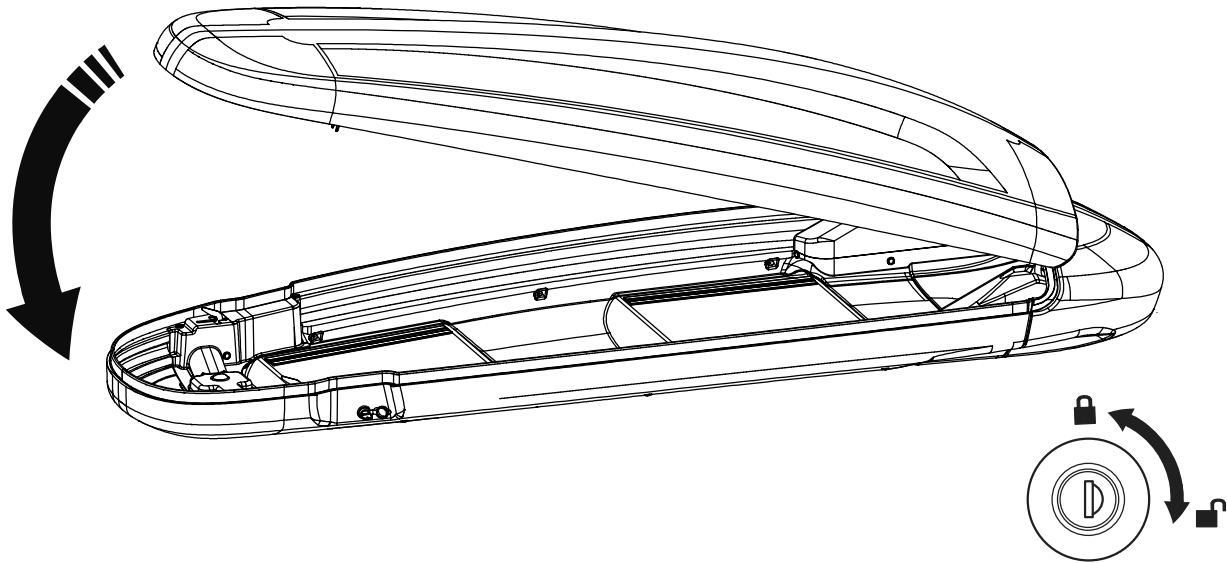
The roof box is water resistand, not completely water proof.



13



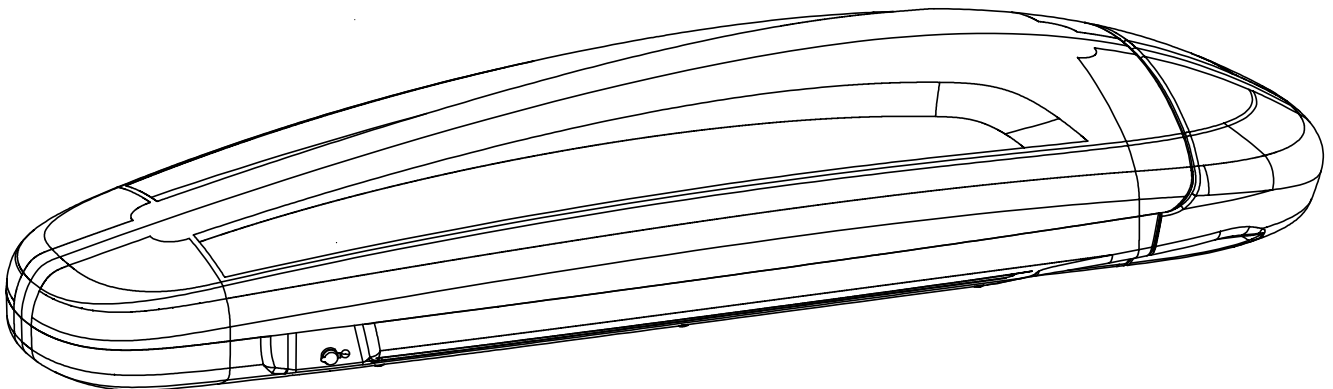
Handles are located inside the top on both sides.



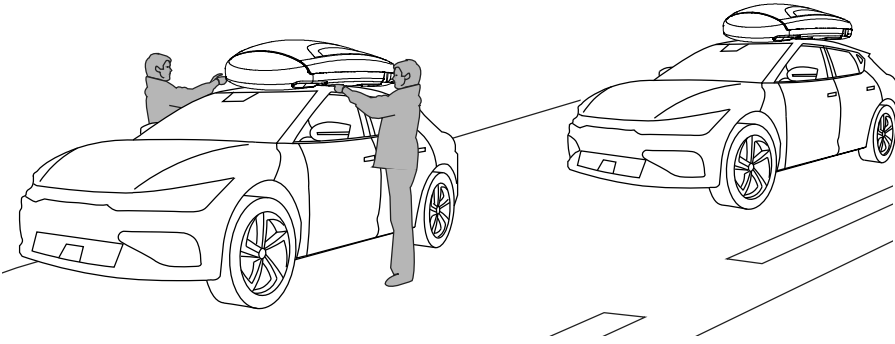
14

Make sure that the top is locked.

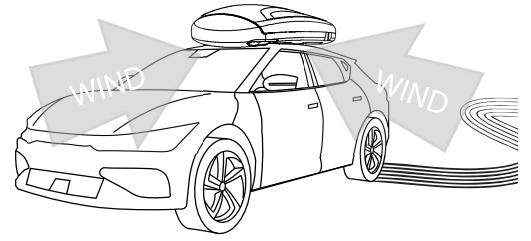
The box is properly closed when the outside of the bottom and top meet and you are unable to push top upwards



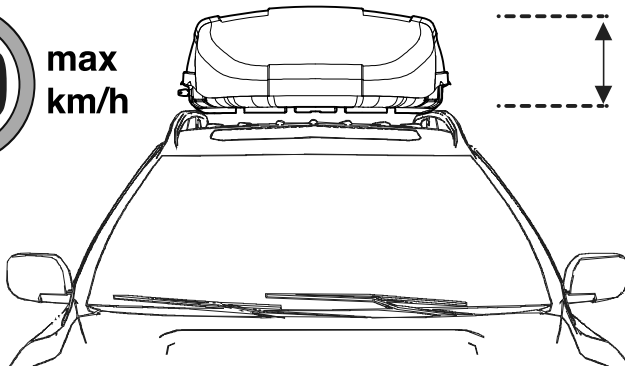
15



Please consider difference in car behavior (crosswinds, cornering and braking)



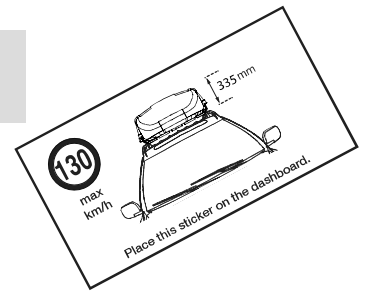
130 max km/h



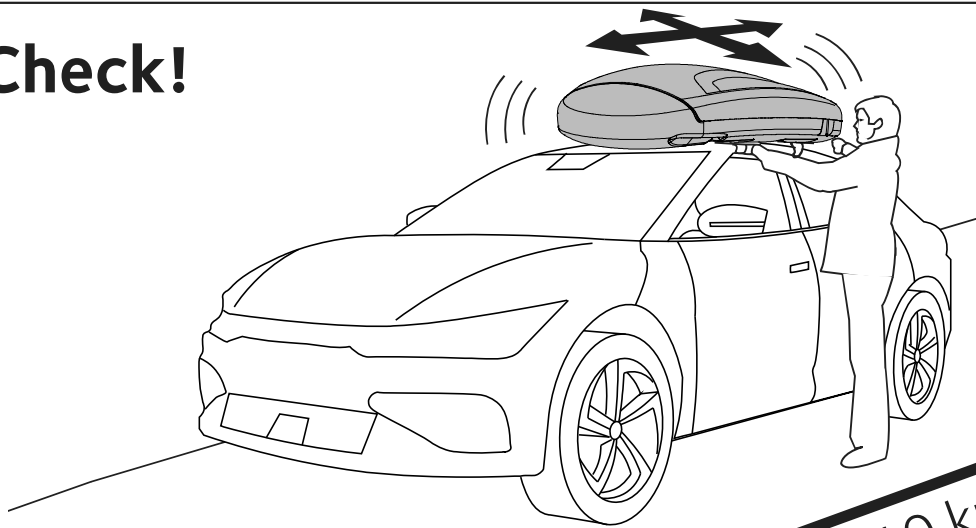
335 mm

Place sticker on dashboard

C

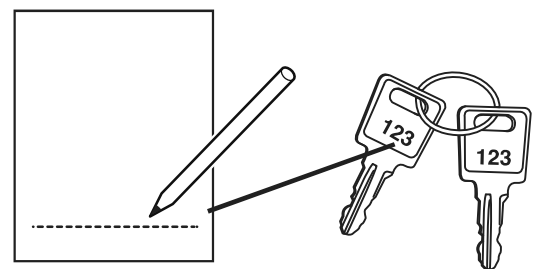
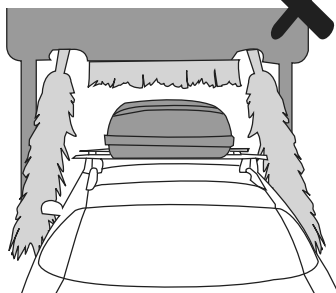
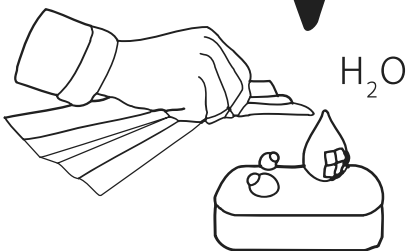


Check!



10 km

4x/year



NOTE

Be aware of the changed height of the car with roof box mounted

NOTE

Check before you start driving that the box is properly locked and the key is removed

NOTE

If the car is washed in automatic washing remove the roof box from the car

NOTE

Please note that wind noise may occur when driving with roof box mounted on a car

NOTE

The roof box must always be kept in lying down position when not in use

NOTE

Remove snow on top of roof box before opening

NOTE

The gas springs's performance will be affected at extreme low temperatures

NOTE

Keep your manual together with the car's instruction manual

NOTE

Installation and handling that deviate from this manual will render the warranty void and can cause damage to the car and the surrounding environment



Autoform AB
Box 155
SE-782 24 Malung
Sweden

Phone: +46(0)280-59 33 00
E-mail: info@autoform.se
autoform.se

For energy saving and safety reasons,
remove roof box and roof racks when not in use.